

CUSTOM ENGINEERED **JET AIR START HOSE**



over 35
Years
of Excellence



salem-republic rubber company

1-800-686-4199 • fax 330-938-9809

www.salem-republic.com • srr@salem-republic.com

475 West California Avenue • P.O. Box 339 • Sebring, Ohio 44672 • USA



Lightweight • Durable • Long Service Life

CUSTOM ENGINEERED JET AIR START HOSE

Salem-Republic Rubber Company's

Commercial Jet Starter Hose meets or exceeds the highest quality standards required by major aircraft operators and equipment specifiers.

Temperature Range:

-80 degrees F to +500 degrees F

Operating Pressure:

100psi

Proof Pressure:

250psi

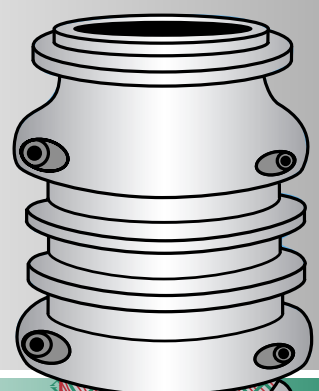
3 1/2" I.D. hose and 4 1/4" I.D. scuff cover available in lengths to 60'

30', 40', 50' and 60' available in stock

***Call, Fax or E-Mail
your inquiry today
for complete assemblies or
individual components.***

Reusable Standard Coupling

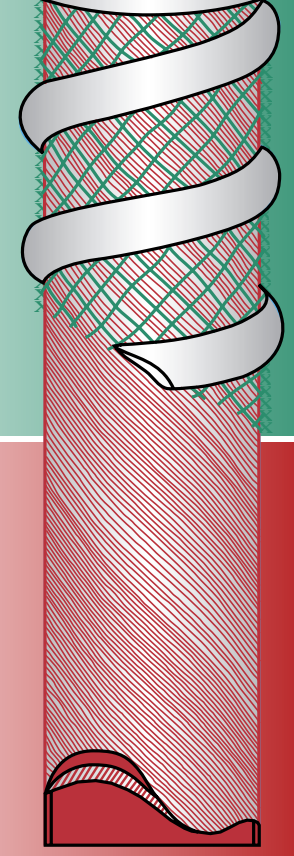
- Allows instant adaption of hose to standard air start couplings and automatic self-tightening during operation
- Ring protects flange facings from damage and prevents possible shearing action on hose and cover
- Lightweight aluminum construction and Allen head screws make for easy assembly and minimum field service.



Scuff Covers with Protective Rubber Bumper

Available in two styles.

- **Braided Scuff Cover**
One piece integral, braided, high-tensile Dacron® scuff cover as used by the military, maintains integrity in the most abusive environments.
- **Leno Weave Scuff Cover**
Economical alternative available upon request.



Long-Lasting Silicone/Dacron® Hose

- Balanced, spiral, twist resistant construction.
- Specially designed for demanding, flight line service requirements for starting aircraft
- Laboratory-tested and field-proven for long service life.
- Lightweight for easy handling and storage.

Dacron is a registered trademark of DuPont.



salem-republic rubber company
1-800-686-4199 • fax 330-938-9809
www.salem-republic.com • srr@salem-republic.com
475 West California Avenue • P.O. Box 339 • Sebring, Ohio 44672 • USA